
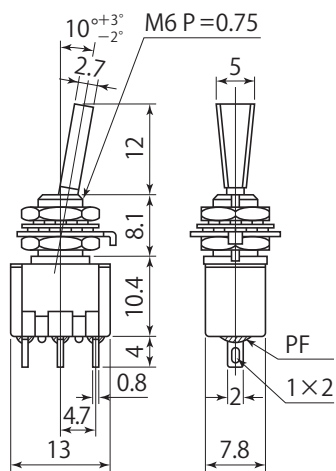


Product Description

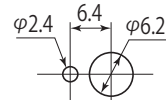
商品説明

Number 品番	MS-500①-F	Types 種類	Toggle switch トグルスイッチ	Photo 写真
Circuit 回路	See details 詳細参照	Operation 機能		
Rating 定格	6A.125V.AC	Terminal 端子	Solder terminal ハンダ端子	
Insulation resistance 絶縁抵抗	DC.500V/100MΩ or more	Voltage breakdown 耐電圧	AC. 1,000V/1min	
Contact resistance 接触抵抗	20mΩ or less	Exterior 外観	Nickel plating ニッケルメッキ	



この図はMS-500A-Fです

Mounting hole
取付穴参考寸法



Details 詳細

MS-500 ①-F is a toggle switch with a flat lever type actuator, and has a circuit configuration as shown in the table below. The circuit symbol is placed in ① following the part number MS-500.

MS-500 ①-F は操作部形状がフラットレバータイプのトグルスイッチで、下表のような回路構成になっています。品番の MS-500 に続く ① に回路記号が入ります。

Circuit symbol ① /回路記号①	Circuit/回路	Operation/回路	Exterior / 外観	Other/その他
K	SPST(2P)	ON-OFF	Nickel Plating	24° ± 4°
A	SPDT(3P)	ON-ON	Nickel Plating	24° ± 4°
B	SPDT(3P)	ON-(ON)	Nickel Plating	20° ± 4°
C	SPDT(3P)	ON-OFF-ON	Nickel Plating	12° ± 4°
D	SPDT(3P)	ON-OFF-(ON)	Nickel Plating	12° ± 4°
E	SPDT(3P)	(ON)-OFF-(ON)	Nickel Plating	12° ± 4°
F	DPDT(6P)	ON-ON	Nickel Plating	24° ± 4°
G	DPDT(6P)	ON-(ON)	Nickel Plating	20° ± 4°
H	DPDT(6P)	ON-OFF-ON	Nickel Plating	12° ± 4°
I	DPDT(6P)	ON-OFF-(ON)	Nickel Plating	12° ± 4°
J	DPDT(6P)	(ON)-OFF-(ON)	Nickel Plating	12° ± 4°